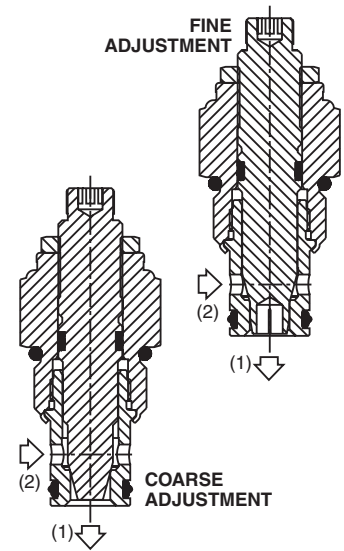
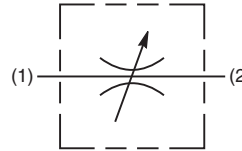


General Description

Cartridge Style Needle Valve.
 For additional information see Technical Tips on pages FC2-FC5.

Features

- Hardened, precision ground parts for durability
- Compact size for reduced space requirements
- Fine adjustment needle option available for precise adjustment
- Polyurethane “D”-Ring eliminates backup rings and prevents hydrolysis
- Valve meters flow in either direction, but (2 to 1) is the preferred direction for lowest leakage at shut off
- All external parts zinc plated

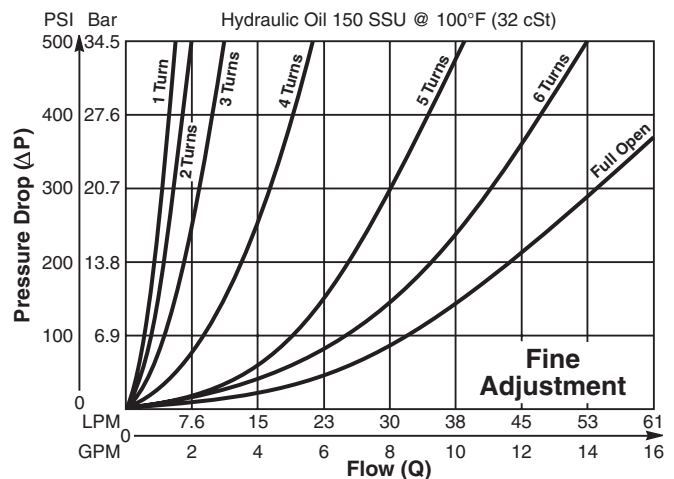
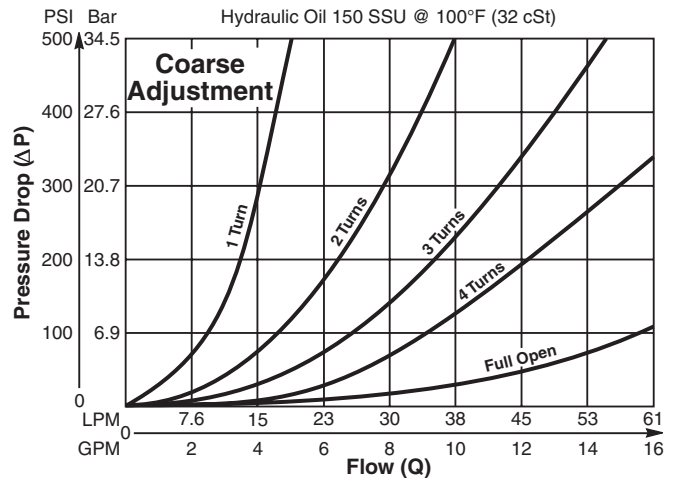


Specifications

Rated Flow	60 LPM (16 GPM)
Maximum Inlet Pressure	380 Bar (5500 PSI)
Cartridge Material	All parts steel. All operating parts hardened steel.
Operating Temp. Range/Seals	-37°C to +93°C (“D”-Ring) (-35°F to +200°F) -34°C to +121°C (Nitrile) (-30°F to +250°F) -26°C to +204°C (Fluorocarbon) (-15°F to +400°F)
Fluid Compatibility/Viscosity	Mineral-based or synthetic with lubricating properties at viscosities of 45 to 2000 SSU (6 to 420 cSt)
Filtration	ISO-4406 18/16/13, SAE Class 4
Approx. Weight	0.18 kg (0.40 lbs.)
Cavity	C10-2 (See BC Section for more details)

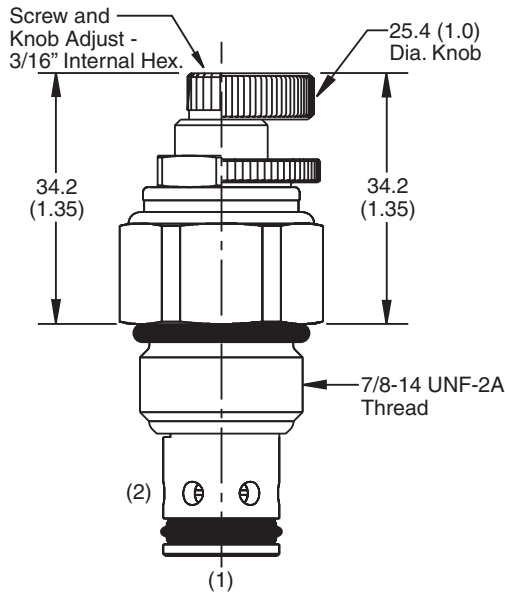
Performance Curves

Flow vs. Inlet Pressure (Through cartridge only)

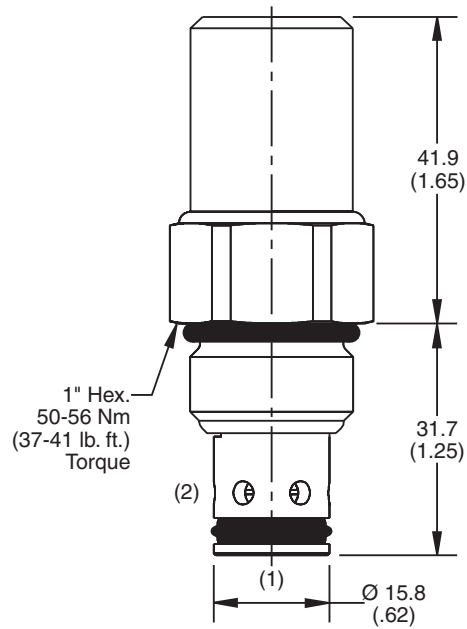


CV
Check Valves
SH
Shuttle Valves
LM
Load/Motor Controls
FC
Flow Controls
PC
Pressure Controls
LE
Logic Elements
DC
Directional Controls
SV
Solenoid Valves
PV
Proportional Valves
CE
Coils & Electronics
BC
Bodies & Cavities
TD
Technical Data

Dimensions Millimeters (Inches)



Screw/Knob Version



Tamper Resistant Version

Ordering Information

NVH101		S
10 Size Needle Valve	Flow Needle	Adjustment Style

Highlighted represents preferred options that offer the shortest lead times. Other options may be available, but at extended lead times.

Code	Flow Needle
Omit	Coarse
F	Fine

Code	Adjustment Style
S	Screw Adjust

Code	Seals
Omit	"D"-Ring

Kit	Part Number
Knob	717784-10
Tamper Resistant Cap	717943
D-Ring Seal	SK10-2
Nitrile Seal	SK10-2
Fluorocarbon Seal	SK10-2V

*Order Bodies Separately
 See section BC*

B10	—	2	—	8T
10 size		2-Way Cavity		Port Size

Code	Porting / Body Material
8T	SAE-8 / Steel (5000 PSI)

- CV
Check Valves
- SH
Shuttle Valves
- LM
Load/Motor Controls
- FC**
Flow Controls
- PC
Pressure Controls
- LE
Logic Elements
- DC
Directional Controls
- SV
Solenoid Valves
- PV
Proportional Valves
- CE
Coils & Electronics
- BC
Bodies & Cavities
- TD
Technical Data